

AUTHORIZING THE PURCHASE OF ONE SINGLE-AXLE UTILITY VEHICLE THROUGH RUSH TRUCK CENTER IN AN AMOUNT NOT TO EXCEED \$204,035.

WHEREAS, the City of DeKalb (the "City") is a home rule unit of local government and may exercise any power and perform any function pertaining to its government and affairs pursuant to Article VII, Section 6, of the Illinois Constitution of 1970; and

WHEREAS, the City's corporate authorities find that it is in the City's best interests to purchase a utility vehicle to ensure the efficient and safe repairs to utility assets and for the promotion of the public health, safety, morals and welfare; and

NOW, THEREFORE, BE IT RESOLVED BY THE COUNCIL OF THE CITY OF DEKALB, ILLINOIS:

SECTION 1: The City's corporate authorities authorize, approve, direct and ratify the City Manager or his designee to enter into a purchase agreement with Rush Truck Center to purchase one (1) new single axle dump truck and equipment in an amount not to exceed \$204,035, subject to such terms and conditions as may be acceptable to the City Manager, and for City staff to take all actions necessary to equip said vehicle for utility purposes within the scope of the existing FY 2021 budget for said expenditures.

SECTION 2: This resolution and each of its terms shall be the effective legislative act of a home rule municipality without regard to whether such resolution should (a) contain terms contrary to the provision of current or subsequent non-preemptive state law, or (b) legislate in a manner or regarding a matter not delegated to municipalities by state law. It is the intent of the City's corporate authorities that to the extent that the terms of this resolution should be inconsistent with any non-preemptive state law, that this resolution shall supersede state law in that regard within its jurisdiction.

SECTION 3: This resolution shall be in full force and effect from and after its passage and approval as provided by law.

PASSED BY THE CITY COUNCIL of the City of DeKalb, Illinois at a Regular meeting thereof held on the 13th day of September 2021 and approved by me as Mayor on the same day. Passed by an 8-0 roll call vote. Aye: Morris, Larson, Smith, Perkins, McAdams, Verbic, Faivre, Barnes. Nay: None.




COHEN BARNES, Mayor

ATTEST:


Ruth A. Scott, Executive Assistant



Rush Truck Center, Chicago
 4655 S. Central Ave
 Chicago, IL 60638
 708-496-7500

rushtruckcenters.com

Retail Sales Order

SALES ORDER		Date 09/01/2021	
Please enter my order for the following: <input checked="" type="checkbox"/> New <input checked="" type="checkbox"/> F.E.T. Applicable <input type="checkbox"/> Used <input type="checkbox"/> F.E.T. Exempt		CITY OF DEKALB Customer's Name 164 E. LINCOLN HIGHWAY DEKALB IL 60115 Street City State Zip (815) 739-0229 Federal Tax ID # Business Phone Fax	
Make International Series MV607 Year 2023 Body Type REFERENCED BELOW Color WHITE Trim STANDARD Serial # Stock #	Purchaser's Name Street City State Zip Federal Tax ID # Business Phone Fax David Mueller By Salesman		
To be delivered on or about SOURCEWELL CONTRACT # 060920 NVS WAS USED TO PRICE THE FOLLOWING : TRUCK CHASSIS SPECIFICATIONS AS LISTED IN SALES PROPOSAL # 31687 DATED 08-09-2021 TO BE PRE-PAID AFTER DELIVERY TO SAUBER 76,267.00 BODY & MOUNTED EQUIPMENT AS LISTED IN SAUBER MANUFACTURING QUOTE # SQ12276 126,448.00 DATED 07/07/2021 Sales Price 203,713.00 Factory Paid F.E.T. 0.00 F.E.T. Tire Credit 0.00 Total Factory Paid F.E.T. 0.00 Optional Extended Warranties 0.00 Sub-Total 203,713.00 Dealer Paid F.E.T. * 0.00 Local Taxes 0.00 License, Transfer, Title, Registration Fee 158.00 Documentary Fee 164.00 Total Cash Delivered Price 204,035.00 Total Down Payment 0.00 Unpaid Cash Balance Due on Delivery 204,035.00	Truck Will be Titled in <u>De Kalb</u> County. LIENHOLDER INFORMATION Date of Lien Lien Holder Draft Through Manufacturer Rebate Total Used Vehicle Allowance * 0.00 Less Total Balance Owed 0.00 Total Net Allowance on Used Vehicle(s) 0.00 Deposit or Credit Balance 0.00 Cash with Order 0.00 ←----- *See Trade-In details on page 4		
A DOCUMENTARY FEE IS NOT AN OFFICIAL FEE. A DOCUMENTARY FEE IS NOT REQUIRED BY LAW, BUT MAY BE CHARGED TO CUSTOMERS FOR HANDLING DOCUMENTS RELATING TO THE SALE. A DOCUMENTARY FEE MAY NOT EXCEED A REASONABLE AMOUNT AGREED TO BY PARTIES. THIS NOTICE IS REQUIRED BY LAW. The Dealer's inventory Tax charge is intended to reimburse the Dealer for ad valorem taxes on its motor vehicle inventory. The charge, which is paid by the Dealer to the county tax assessor-collector, is not a tax imposed on a Customer by the government, and is not required to be charged by the Dealer to the Customer.		Customer, by the execution of this Order, offers to purchase the Product(s) described above upon the Terms and Conditions contained herein. Customer acknowledges that Customer has read the Terms and Conditions of this Order on Page 2 and has received a true copy of this Order and the Terms and Conditions.	
*SUBJECT TO ADJUSTMENT - FINAL F.E.T. MAY VARY. ANY F.E.T. VARIANCE RESPONSIBILITY OF DEALER		Customer's Signature <i>[Signature]</i> 9/15/2021 Date OFFER RECEIVED BY: <u>David Mueller</u> 09-01-2021/5/21 Date SALES REPRESENTATIVE Date	
NOTICE: THE FOLLOWING ARE IMPORTANT PROVISIONS OF THIS ORDER THIS ORDER CANCELS AND SUPERCEDES ANY PRIOR AGREEMENTS AND, AS OF THE DATE HEREOF, COMPRISES THE COMPLETE AND EXCLUSIVE STATEMENT OF THE TERMS OF THE AGREEMENT BETWEEN THE PARTIES. IF ANY REPRESENTATIONS, SPECIFICATIONS OR OTHER AGREEMENTS ARE RELIED UPON BY CUSTOMER, THEY MUST BE IN WRITING AND SPECIFICALLY IDENTIFIED AND REFERENCED IN THIS ORDER; OTHERWISE, THEY WILL NOT BE BINDING ON OR ENFORCEABLE AGAINST DEALER. THERE ARE NO UNWRITTEN ORAL AGREEMENTS BETWEEN THE PARTIES.		OFFER ACCEPTED BY: <u>Paul B. Huls</u> 9/15/21 Date AUTHORIZED REPRESENTATIVE Date	



Rush Truck Center, Chicago

4655 S. Central Ave
Chicago, IL 60638
708-496-7500

rushtruckcenters.com

Retail Sales Order

1. Parties to Order; Definitions. As used in this Retail Sales Order ("Order"), the terms: (a) "Dealer" shall mean the Rush Dealer identified at the top of the first page of this Order; (b) "Customer" shall mean the Customer identified on the first page of this Order; (c) "Manufacturer(s)" shall mean the entity or entities that manufactured the Product(s), it being understood by Customer that Dealer is in no respect the agent of Manufacturer(s); and (d) "Product(s)" shall mean the new and/or used vehicle or other components, accessories or products, which are being purchased by Customer, as set forth in this Order.

2. WARRANTY DISCLAIMERS AND LIMITATIONS

NEW PRODUCTS – MANUFACTURER WARRANTIES ONLY. Any warranties on any new Product(s) sold under this Order are limited only to any printed Manufacturers' warranties delivered to Customer with the Product(s). EXCEPT FOR ANY SUCH WARRANTIES MADE BY MANUFACTURERS, THE PRODUCT(S) ARE SOLD WITHOUT ANY OTHER WARRANTIES, EXPRESS OR IMPLIED, INCLUDING ANY IMPLIED WARRANTY OF MERCHANTABILITY OR FITNESS FOR A PARTICULAR PURPOSE, EACH OF WHICH IS EXPRESSLY DISCLAIMED.

USED PRODUCTS – NO WARRANTIES. All used Product(s) sold under this Order are sold on an "AS IS, WHERE IS" basis, without any warranties by Dealer, provided that Products that are sold by Dealer as "Certified Pre-Owned" are subject to the express written terms and conditions of the Dealer's certified pre-owned program. EXCEPT FOR ANY MANUFACTURERS' WARRANTIES THAT MAY STILL BE IN EFFECT, ALL OTHER WARRANTIES, EXPRESS OR IMPLIED, INCLUDING ANY IMPLIED WARRANTY OF MERCHANTABILITY OR FITNESS FOR A PARTICULAR PURPOSE, ARE EXPRESSLY DISCLAIMED.

LIMITED WARRANTY ON SERVICES. Dealer warrants that all services performed by Dealer for Customer in conjunction with the sale of the Product(s), including if applicable installation, upfitting and conversion services ("Services"), will be performed in a good and workmanlike manner ("Services Warranty"). The Services Warranty is valid for a period of ninety (90) days from the date the Product(s) is delivered to Customer. Customer's sole and exclusive remedy, and Dealer's entire liability, under the Services Warranty is the repair of any nonconforming portion of the Services. DEALER PROVIDES NO OTHER WARRANTIES, EXPRESS OR IMPLIED, CONCERNING ITS SERVICES. The Services Warranty is strictly limited to Services performed by Dealer for Customer. Dealer does not warrant any services provided by any third-party, including but not limited to installation, upfitting or conversion services. Any warranties are solely those that are provided by the third-party service provider.

NO OTHER WARRANTIES. EXCEPT AS SET FORTH ABOVE, DEALER EXPRESSLY DISCLAIMS ALL WARRANTIES, EXPRESS OR IMPLIED.

3. Reappraisal of Trade-In Vehicle. If the motor vehicle which has been traded in ("Trade-In Vehicle") as a part of the consideration for the Product(s) ordered hereunder is not to be delivered to Dealer until delivery to Customer of the Product(s), the Trade-In Vehicle shall be reappraised at that time and such reappraised value shall determine the allowance made for the Trade-In Vehicle. If the reappraised value is lower than the original allowance shown on the front of this Order, Customer may, if dissatisfied, cancel this Order.

4. Delivery of Trade-In Vehicle by Customer; Customer Warranty of Title. Customer agrees to deliver to Dealer satisfactory evidence of title to the Trade-In Vehicle at the time of delivery of the Trade-In Vehicle to Dealer. Customer warrants the Trade-In Vehicle to be Customer's property free and clear of all liens and encumbrances.

5. Delay or Failure in Delivery; Limitation of Dealer Liability. Dealer shall not be liable for failure to deliver or delay in delivering any Product(s) covered by this Order where such failure or delay is due, in whole or in part, to any cause beyond the reasonable control, or is without the gross negligence or intentional misconduct, of Dealer. Examples of causes beyond Dealer's reasonable control include, but are not limited to, Manufacturers' delay or failure to deliver Product(s) for any reason, earthquake, hurricane or other natural disaster, fire, war, terrorist act, labor dispute, strike, etc.

6. Liability for Taxes. The price for the Product(s) specified on the face of this Order includes reimbursement to Dealer for federal excise taxes paid, but does not include sales or use taxes or occupational taxes based on sales volume (federal, state or local) unless expressly so stated. Customer assumes and agrees to pay, unless prohibited by law, any such sales or use or occupational taxes imposed on or applicable to the transaction covered by this Order, regardless of which party may have primary tax liability thereof.

7. Customer's Deposit. Any Customer's deposit, whether cash or Trade-In Vehicle, shall not be refunded except due to Dealer's failure to deliver the Product(s).

8. Risk of Loss; Insurance. Customer shall assume all risk of loss relating to the Product(s) at the time Customer receives possession of the Product(s), or at the time Customer receives title to the Product(s) if title is conveyed before Customer receives possession. Customer shall obtain insurance for the Product(s) that will be in effect at the time Customer takes possession of the Product(s), or at the time Customer receives title to the Product(s) if title is conveyed before the Customer receives possession. Dealer shall have no responsibility or liability related to the Product(s) after Customer receives either possession or title to the Product(s).

9. Governing Law; Venue; Time to Commence Action. Except to the extent that the laws of the United States may apply or otherwise control this Order, the rights and obligations of the parties hereunder shall be governed by, and construed and interpreted in accordance with, the laws of the state in which Dealer is located, without regard to conflict of law principles. The mandatory venue for any claim, litigation, civil action or any other legal or administrative proceeding ("Action") involving any controversy or claim between or among the parties to this Order, is the state in which Dealer is located. Customer has one (1) year from the accrual of any cause of action arising from the purchase of the Product(s) to commence an Action against Dealer.

10. Limitation of Damages. Customer agrees that in the event of any Action brought by Customer against Dealer, Customer shall not be entitled to recover any incidental or consequential damages as defined in the Uniform Commercial Code, including but not limited to indirect or special damages, loss of income or anticipated profits, or down-time, or any punitive damages.

11. Fees and Expenses of Actions. In any Action, whether initiated by Dealer or Customer, where the Customer has a right, pursuant to statute, common law or otherwise, to recover reasonable attorneys' fees and costs in the event it prevails, Customer agrees that Dealer shall have the same right to recover reasonable attorneys' fees and costs incurred in connection with the Action in the event that Dealer prevails.

12. Execution and Delivery by Electronic Transmission. If this Order or any document executed in connection with this Order is delivered by facsimile, email or similar instantaneous electronic transmission device pursuant to which the signature of or on behalf of such party can be seen, such execution and delivery shall be considered valid, binding and effective for all purposes as an original document. Additionally, the signature of any party on this Order transmitted by way of a facsimile machine or email shall be considered for all purposes as an original signature. Any such faxed or emailed document shall be considered to have the same binding legal effect as an original document. At the request of Dealer, any faxed or emailed document shall be re-executed by Customer in an original form.

13. Waiver; Severability. No waiver of any term of this Order shall be valid unless it is in writing and signed by Dealer's authorized representative. If any provision or part of any provision of this Order shall be deemed to violate any applicable law or regulation, such invalid provision or part of a provision shall be inapplicable, BUT the remaining part of that provision and the remainder of the Order shall continue to be binding and enforceable.

14. No Broker; Manufacturer Incentives. If at any time Dealer determines that the Customer intends to engage in the resale of vehicles for profit, where such resale is not in conjunction with further manufacturing, Dealer reserves the right to cancel this Order. Certain manufacturer incentives are intended to be used for retail customers at the location as identified by the Customer in this Order. Customer represents that they will register the vehicle with their state motor vehicle department and are not purchasing this vehicle with the intent to resell/export the vehicle, except where such resale is in conjunction with further manufacturing. If at any time Dealer determines that the foregoing representations are not true, Dealer has the right to seek repayment of any manufacturer incentives that are paid.

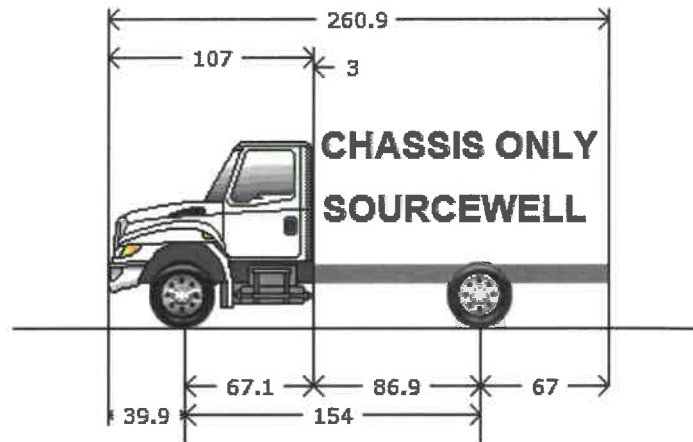
15. Communication Consent. Dealer and any other owner or servicer of this account may use any information Customer gives Dealer, including but not limited to email addresses, cell phone numbers, and landline numbers, to contact Customer for purposes related to this account, including debt collection and marketing purposes. In addition, Customer expressly consents to any such contact being made by the most efficient technology available, including but not limited to, automated dialing equipment, automated messages, and prerecorded messages, even if Customer is charged for the contact.

Customer Initial 

Prepared For:
 City of DeKalb
 BRYAN FAIVRE
 200 S 4th St.
 Dekalb, IL 60115-3720
 (815)748 - 2040
 Reference ID: SOURCEWELL H2o

Presented By:
 RUSH TRK CTR OF N IL
 David R Mueller
 11816 S IL RTE 47
 HUNTLEY IL 60142 -
 (847)669-5700

Thank you for the opportunity to provide you with the following quotation on a new International truck. I am sure the following detailed specification will meet your operational requirements, and I look forward to serving your business needs.



Model Profile
2023 MV607 SBA (MV607)

AXLE CONFIG:	4X2
MISSION:	Requested GVWR: 25500. Calc. GVWR: 25500. Calc. GCWR: 50000
DIMENSION:	Wheelbase: 154.00, CA: 86.90, Axle to Frame: 67.00
ENGINE, DIESEL:	{Cummins B6.7 250} EPA 2021, 250HP @ 2400 RPM, 660 lb-ft Torque @ 1600 RPM, 2600 RPM Governed Speed, 250 Peak HP (Max)
TRANSMISSION, AUTOMATIC:	{Allison 3000 RDS} 5th Generation Controls, Close Ratio, 6-Speed with Double Overdrive, with PTO Provision, Less Retarder, Includes Oil Level Sensor, with 80,000-lb GVW and GCW Max, On/Off Highway
CLUTCH:	Omit Item (Clutch & Control)
AXLE, FRONT NON-DRIVING:	{Meritor MFS-08-153B} I-Beam Type, 8,000-lb Capacity
AXLE, REAR, SINGLE:	{Dana Spicer 21060S} Single Reduction, 17,500-lb Capacity, R Wheel Ends Gear Ratio: 6.50
CAB:	Conventional, Day Cab
TIRE, FRONT:	(2) 11R22.5 Load Range G HSR2 (CONTINENTAL), 498 rev/mile, 75 MPH, All-Position
TIRE, REAR:	(4) 11R22.5 Load Range G HDR2+ (CONTINENTAL), 491 rev/mile, 75 MPH, Drive
SUSPENSION, REAR, SINGLE:	20,000-lb Capacity, Vari-Rate Springs, with 4500-lb Capacity Auxiliary Rubber Springs
PAINT:	Cab schematic 100WP Location 1: 9219, Winter White (Std) Chassis schematic N/A

Description

Base Chassis, Model MV607 SBA with 154.00 Wheelbase, 86.90 CA, and 67.00 Axle to Frame.

TOW HOOK, FRONT (2) Frame Mounted

AXLE CONFIGURATION {Navistar} 4x2

FRAME RAILS Heat Treated Alloy Steel (120,000 PSI Yield); 10.125" x 3.580" x 0.312" (257.2mm x 90.9mm x 8.0mm); 460.0" (11684mm) Maximum OAL

BUMPER, FRONT Contoured, Steel

WHEELBASE RANGE 134" (340cm) Through and Including 197" (500cm)

AXLE, FRONT NON-DRIVING {Meritor MFS-08-153B} I-Beam Type, 8,000-lb Capacity

SPRINGS, FRONT AUXILIARY Rubber

SUSPENSION, FRONT, SPRING Parabolic Taper Leaf, Shackle Type, 8,000-lb Capacity, with Shock Absorbers

BRAKE SYSTEM, AIR Dual System for Straight Truck Applications

DRAIN VALVE {Bendix DV-2} Automatic, with Heater, for Air Tank

AIR BRAKE ABS {Bendix AntiLock Brake System} 4-Channel (4 Sensor/4 Modulator) Full Vehicle Wheel Control System

AIR DRYER {Bendix AD-IP} with Heater

BRAKE CHAMBERS, FRONT AXLE {Bendix} 20 SqiIn

BRAKE CHAMBERS, REAR AXLE {Bendix EverSure} 30/30 SqiIn Spring Brake

SLACK ADJUSTERS, FRONT {Gunitite} Automatic

SLACK ADJUSTERS, REAR {Gunitite} Automatic

AIR COMPRESSOR {Cummins} 18.7 CFM

AIR DRYER LOCATION Mounted Inside Left Rail, Back of Cab

AIR TANK LOCATION (3) : One Mounted Parallel Under Left Rail, Back of Cab, Two Mounted Under Battery Box, Outside Left Rail, Under Cab

BRAKES, FRONT {Meritor 15X4 Q-PLUS CAST} Air S-Cam Type, Cast Spider, Fabricated Shoe, Double Anchor Pin, Size 15" X 4", 13,200-lb Capacity

BRAKES, REAR {Meritor 16.5X7 Q-PLUS CAST} Air S-Cam Type, Cast Spider, Fabricated Shoe, Double Anchor Pin, Size 16.5" X 7", 23,000-lb Capacity per Axle

STEERING COLUMN Tilting

STEERING WHEEL 4-Spoke; 18" Dia., Black

STEERING GEAR {TRW (Ross) TAS40} Power

DRIVELINE SYSTEM {Dana Spicer} SPL140, for 4x2/6x2

EXHAUST SYSTEM Horizontal Aftertreatment System, Frame Mounted Under Right Rail Forward Location, for Single Vertical Tail Pipe, Frame Mounted Right Side Back of Cab, for Short Wheelbase

TAIL PIPE (1) Turnback Type

EXHAUST HEIGHT 8' 10"

MUFFLER/TAIL PIPE GUARD (1) Aluminum

ELECTRICAL SYSTEM 12-Volt, Standard Equipment

CIGAR LIGHTER Includes Ash Cup

Description

ALTERNATOR {Leece-Neville AVI160P2013} Brush Type, 12 Volt, 160 Amp Capacity, Pad Mount, with Remote Sense

BODY BUILDER WIRING Back of Day Cab at Left Frame or Under Sleeper, Extended or Crew Cab at Left Frame; Includes Sealed Connectors for Tail/Amber Turn/Marker/ Backup/Accessory Power/Ground and Sealed Connector for Stop/Turn

BATTERY SYSTEM {Fleetrite} Maintenance-Free, (3) 12-Volt 1980CCA Total, Top Threaded Stud

SPEAKERS (2) 6.5" Dual Cone Mounted in Doors

ANTENNA for Increased Roof Clearance Applications

RADIO AM/FM/WB/Clock/Bluetooth/USB Input/Auxiliary Input

BATTERY CABLES with 1 Auxiliary Battery Post, Positive

HORN, ELECTRIC Disc Style

BATTERY BOX Steel, with Plastic Cover, 25" Wide, 2-3 Battery Capacity, Mounted Left Side Under Cab in Back of DEF Tank

CLEARANCE/MARKER LIGHTS (5) {Truck Lite} Amber LED Lights, Flush Mounted on Cab or Sunshade

STARTING MOTOR {Delco Remy 38MT Type 300} 12 Volt, Less Thermal Over-Crank Protection

INDICATOR, LOW COOLANT LEVEL with Audible Alarm

CIRCUIT BREAKERS Manual-Reset (Main Panel) SAE Type III with Trip Indicators, Replaces All Fuses

TURN SIGNALS, FRONT Includes LED Side Turn Lights Mounted on Fender

HORN, AIR Single Trumpet, Black, with Lanyard Pull Cord

POWER SOURCE, ADDITIONAL Auxiliary Power Outlet (APO) & USB Port, Located in the Instrument Panel

HEADLIGHTS Halogen

LOGOS EXTERIOR Model Badges

LOGOS EXTERIOR, ENGINE Badges

GRILLE Chrome

INSULATION, UNDER HOOD for Sound Abatement

INSULATION, SPLASH PANELS for Sound Abatement

FRONT END Tilting, Fiberglass, with Three Piece Construction

PAINT SCHEMATIC, PT-1 Single Color, Design 100

PAINT TYPE Base Coat/Clear Coat, 1-2 Tone

CUSTOMER IDENTITY for Sourcewell

PROMOTIONAL PACKAGE Government Silver Package

CLUTCH Omit Item (Clutch & Control)

ANTI-FREEZE Red, Extended Life Coolant; To -40 Degrees F/ -40 Degrees C, Freeze Protection

VENDOR WARRANTY, ENGINE {Cummins} B6.7 Engine, 3-Year Unlimited Miles Standard Warranty

ENGINE, DIESEL {Cummins B6.7 250} EPA 2021, 250HP @ 2400 RPM, 660 lb-ft Torque @ 1600 RPM, 2600 RPM Governed Speed, 250 Peak HP (Max)

FAN DRIVE {Horton Drivemaster} Automatic On/Off Type, with Normally Closed Temperature Control

RADIATOR Aluminum, 2-Row, Cross Flow, Over Under System, 717 SqIn Louvered, with 313 SqIn Charge Air Cooler, Includes In-Tank Oil Cooler

Description

AIR CLEANER with Service Protection Element

EMISSION, CALENDAR YEAR {Cummins B6.7} EPA, OBD and GHG Certified for Calendar Year 2021

THROTTLE, HAND CONTROL Engine Speed Control; Electronic, Stationary, Variable Speed; Mounted on Steering Wheel

OIL PAN 15 Quart Capacity, For Cummins ISB/B6.7 Engines

BLOCK HEATER, ENGINE {Phillips} 120V/750W, for Cummins ISB/B6.7 Engines

CARB IDLE COMPLIANCE Federal, Does Not Comply with California Clean Air Idle Regulations

ENGINE CONTROL, REMOTE MOUNTED Provision for; Includes Wiring for Body Builder Installation of PTO Controls, with Ignition Switch Control, for Cummins ISB/B6.7 and ISL/L9 Engines

CARB EMISSION WARR COMPLIANCE Federal, Does Not Comply with CARB Emission Warranty

TRANSMISSION, AUTOMATIC {Allison 3000 RDS} 5th Generation Controls, Close Ratio, 6-Speed with Double Overdrive, with PTO Provision, Less Retarder, Includes Oil Level Sensor, with 80,000-lb GVW and GCW Max, On/Off Highway

TRANSMISSION SHIFT CONTROL Column Mounted Stalk Shifter, Not for Use with Allison 1000 & 2000 Series Transmission

TRANSMISSION OIL Synthetic; 29 thru 42 Pints

ALLISON SPARE INPUT/OUTPUT for Rugged Duty Series (RDS) and Regional Haul Series (RHS), General Purpose Trucks, Construction, Package Number 223

NEUTRAL AT STOP Allison Transmission Shifts to Neutral When Service Brake is Depressed and Vehicle is at Stop; Remains in Neutral Until Service Brake is Released

TRANSMISSION TCM LOCATION Located Inside Cab

SHIFT CONTROL PARAMETERS {Allison} 3000 or 4000 Series Transmissions, Performance Programming

PTO LOCATION Customer Intends to Install PTO at Left Side of Transmission

AXLE, REAR, SINGLE {Dana Spicer 21060S} Single Reduction, 17,500-lb Capacity, R Wheel Ends . Gear Ratio: 6.50

SUSPENSION, REAR, SINGLE 20,000-lb Capacity, Vari-Rate Springs, with 4500-lb Capacity Auxiliary Rubber Springs

FUEL/WATER SEPARATOR 12 VDC Electric Heater, Includes Pre-Heater, Includes Water-in-Fuel Sensor, Cummins Supplied on Engine

FUEL TANK Top Draw, Non-Polished Aluminum, D-Style, 16" Tank Depth, 50 US Gal (189L), Mounted Right Side, Under Cab

DEF TANK 7 US Gal (26L) Capacity, Frame Mounted Outside Left Rail, Under Cab

CAB Conventional, Day Cab

AIR CONDITIONER with Integral Heater and Defroster

GAUGE CLUSTER Base Level; English with English Electronic Speedometer

GAUGE, OIL TEMP, AUTO TRANS for Allison Transmission

IP CLUSTER DISPLAY On Board Diagnostics Display of Fault Codes in Gauge Cluster

SEAT, DRIVER {National 2000} Air Suspension, High Back with Integral Headrest, Vinyl, Isolator, 1 Chamber Lumbar, with 2 Position Front Cushion Adjust, -3 to +14 Degree Angle Back Adjust

SEAT, TWO-MAN PASSENGER {National} Vinyl, Less Under Seat Storage Compartment

MIRRORS (2) C-Loop, Heated, Black Heads and Arms, 7.5" x 14" Flat Glass, Includes 7.5" x 7" Convex Mirrors, for 102" Load Width

CAB INTERIOR TRIM Classic, for Day Cab

CAB REAR SUSPENSION Rubber Suspension, for Low Cab Height

WINDOW, POWER (2) and Power Door Locks, Left and Right Doors, Includes Express Down Feature

Description

LOW WASHER FLUID INDICATOR

INSTRUMENT PANEL Flat Panel

ACCESS, CAB Steel, Driver & Passenger Sides, Two Steps per Door, for use with Day Cab and Extended Cab

WHEELS, FRONT {Maxion 90541} DISC; 22.5x8.25 Rims, Painted Steel, 2-Hand Hole, 10-Stud, 285.75mm BC, Hub-Piloted, Flanged Nut, with Steel Hubs

WHEELS, REAR {Maxion 90541} DUAL DISC; 22.5x8.25 Rims, Painted Steel, 2-Hand Hole, 10-Stud, 285.75mm BC, Hub-Piloted, Flanged Nut, with Steel Hubs

PAINT IDENTITY, FRONT WHEELS Disc Front Wheels; with Vendor Applied White Powder Coat Paint

PAINT IDENTITY, REAR WHEELS Disc Rear Wheels; with Vendor Applied White Powder Coat Paint

WHEEL GUARDS, REAR {Accuride} for Metric Hub Piloted Wheels with Flanged Mounting Nuts, Mounted Between Hub & Wheel and Between Dual Wheels

BDY INTG, REMOTE POWER MODULE Mounted Inside Cab Behind Driver Seat, Up to 6 Outputs & 6 Inputs, Max 20 amp per Channel, Max 80 amp Total; Includes 1 Switch Pack with Latched Switches

BDY INTG, REMOTE START/STOP To Start and Stop Vehicle Engine

BDY INTG, PTO ACCOMMODATION for Electric over Hydraulic PTO, Does Not Include Solenoids, with Latched Switch Mounted on Dash Includes Audible Alarm and Indicator Light in Gauge Cluster (Requires 1 Remote Power Module input & 1 output)

(2) TIRE, FRONT 11R22.5 Load Range G HSR2 (CONTINENTAL), 498 rev/mile, 75 MPH, All-Position

(4) TIRE, REAR 11R22.5 Load Range G HDR2+ (CONTINENTAL), 491 rev/mile, 75 MPH, Drive

Cab schematic 100WP

Location 1: 9219, Winter White (Std)

Chassis schematic N/A

Services Section:

WARRANTY Standard for MV Series, Effective with Vehicles Built July 1, 2017 or Later, CTS-2020A

Municipal License Plates & Title Fee

<u>Description</u>	(US DOLLAR)	<u>Price</u>
Net Sales Price:		\$77,589.00

ABOVE FIGURE IS FOR A CHASSIS' ONLY (no body or mounted equipment)

ABOVE FIGURE WAS CALCULATED USING SOURCEWELL CONTRACT # 060920 NVS

ABOVE FIGURE IS BASED ON CHASSIS BEING PRE-PAID WITH-IN 30 DAYS OF FACTORY INVOICE DATE (Will send a copy of the Factory Invoice and copy of signed Delivery Receipt)

ABOVE FIGURES DO NOT INCLUDE ANY FUTURE/POTENTIAL INCREASES FOR THE FOLLOWING:
EMISSION SURCAHRGES, FREIGHT / DESTINATION FEES and RAW MATERIAL SURCHARGES

Approved by Seller:

SALES REPRESENTATIVE 09-01-2021

Official Title and Date

David Mueller

Authorized Signature

Accepted by Purchaser:

CITY OF DEKALB (water dept.)

Firm or Business Name

[Signature]

Authorized Signature and Date

This proposal is not binding upon the seller without Seller's Authorized Signature

Official Title and Date

The TOPS FET calculation is an estimate for reference purposes only. The seller or retailer is responsible for calculating and reporting/paying appropriate FET to the IRS.

The limited warranties applicable to the vehicles described herein are Navistar, Inc.'s standard printed warranties which are incorporated herein by reference and to which you have been provided a copy and hereby agree to their terms and conditions.

Sales Quote

Exhibit C

Sales Quote Number: SQ12276
 Document Date: 07/07/21
 Page : 1 / 3



Sell To

Dekalb Water Department
 Brian Faivre
 1216 Market Street
 DeKalb, IL 60115
 United States

Ship To

Dekalb Water Department
 Brian Faivre
 1216 Market Street
 DeKalb, IL 60115
 United States

Salesperson	Shipment Method	Payment Terms	Bill-to Customer No.
Justin Farr	Customer Pickup	Net 30 Days	C00880

No.	Description	Quantity	Unit	Unit Price Excl. Tax	Line Amount Excl. Tax
21377	Aluminum Service Body 135"L x 92"W x 52" Compt Height; 20"D Compt; 54" Cargo Floor; 72" Int Height; Double Rear Doors; (4) Compt Each Side 2NB Stainless Steel Hinges Whale Tail T-Handle Black Compression Latches	1	Each	126,446.00	126,446.00
G-MP	Paint Exterior: Color TBD ----- VANAIR -----	1	Each		
G-PP	V3 System HYD-AIR-ELCT 125CFM Air @ 150 PSIG Hyd ~ 6.6KW Elect 2000 PSI @ 8 GPM Idle Control Provided Through Controller PTO: Muncie A20-A1010-SX31XPX LH Side Mount PTO 131%	1	Each		
16671	Hydraulic Tank - 20"Lx15"Wx20"H 25-Gallon w/ Slotted Side Mount Angle Brackets Oil Level/Temperature Gauge w/ Fill/Breather Cap	1	Each		
R1000	Install Hyd Tank Under Reels	1	Hour		
21931	ASA 7 HP 12VDC High Performance Oil Cooler 17"W x 12"H x 6.5"D Nominal; 8.5A; 5 SCFM	1	Each		
Z1308	Cooler Installation	1	Each		
G-PP	Horizontal Air Tank - Size: 10G	1	Each		
R1000	Install Holding Tank Under Reels & Plumb ----- Bump / Tow -----	2	Hour		
G-MP	Special Rear Bumper - Galvanized	1	Each		
Z1214	6000/30000 Pintle Hook Installation Includes Bracing to Frame, D-Rings & Fasteners 12570 6000/30000# Rigid Pintle Hook	1	Each		
Z1215	Truck/Trailer Socket Installation	1	Each		
14853	Heavy Duty Vise Table w/ Mount - 14853.SLDDRW 14853-2 HD Vise Table w/ 14853-1 Receiver - Galv	2	Each		
14859	Bumper Mounted Pipe Rest Compatible w/ 14853 HD Vise Table - Galv	1	Each		
18187	Bumper Mount Removable Cone Holder	2	Each		
Z1336	Install Cone Holders ------(5) Reels -----	2	Each		

Sales Quote

Sales Quote Number: SQ12276
 Document Date: 07/07/21
 Page : 2 / 3



No.	Description	Quantity	Unit	Unit Price Excl. Tax	Line Amount Excl. Tax
19433	50'x12/3 Yellow Cord Reel w/ Duplex Box & Cover w/3' 12/3 Yellow Lead & 3P Male Plug - Cable End	1	Each		
G-PP	Upgrade to 75' Cord Reel	1	Each		
Z1167	Duplex Outlet Installed - 20A (1) Installed Near Cord Reel - Cargo Area (1) Installed - Best Location Curbside	2	Each		
11162	120V 20A GFI Breaker	2	Each		
G-PP	75' Hydraulic Bare Reel	1	Each		
14884	Hydraulic Hose Assembly Dual 1/2"x75' Includes Fittings Each End	150	Each		
G-PP	75' 3/4" Air Hose Bare Reel	1	Each		
G-PP	9970.0034 3/4" Air Hose w/ Bare Ends	1	Each		
14915	Hose Reel w/ 50' X 1/4" Oxy/Accy	1	Each		
G-MP	Galv Stand To Hold All Reels	1	Each		
R1000	Install Stand - Cargo Front RS	2	Hour		
14581	Hose Reel w/ 50' x 3/8" Air Hose Spring Retractable	1	Each		
12685	Hose Reel Ball Stop 3/8" OD Single Hose .7185"Dia Single 3/8" Air Hose ----- Compartmentation -----	1	Each		
18150	CTECH Custom Drawer Unit Overall: 33"W x 40"H x 18"D ++Size Needs Verification Drawer Heights Top To Bottom: TBD	2	Each		
R1000	Install CTECHS - R1 & R2 L1/L2/L4: (3) Adjustable Shelves L3: (1) Fixed Shelf R1/R2: (1) Adjustable Shelf R3: (1) Fixed Shelf R4: Open Divider Package - All Shelves ----- MISC Up-Fit -----	8	Hour		
21686	5# Amerex B500T ABC Fire Extinguisher Dry Chemical w/ Vehicle Bracket; Rechargeable	1	Each		
R1000	Install Extinguisher - Best Location - Cargo Area	1	Hour		
16760	Water Valve Key Rack w/ Shock Cord Retention - Aluminum 2667ST - LS Load Area	2	Each		
G-MP	Upgrade to Double Wide Key Rack Divider in Middle Including Handle Divider Longest Key: 10' ~ Install Rack Just Install Rear Door	1	Each		
12807	Dual Tank Rack - Galv - 12807-A.SLDDRW	1	Each		
R1000	Install Cargo Area - RS Cargo Wall	1	Hour		
G-MP	AL Compartment Top Protection Under Access Door Passenger Side	1	Each		
16450	Laser Cut/Formed Material Basket w/ SmartPerf Sides & Top Lip & Rubber Mounts 130"x18"x10" - Galv (+/- in L"&W")	1	Each		
Z1336	Install Material Basket: Under Key Rack	1	Each		

Sales Quote

Sales Quote Number: SQ12276
 Document Date: 07/07/21
 Page : 3 / 3



No.	Description	Quantity	Unit	Unit Price Excl. Tax	Line Amount Excl. Tax
G-MP	Jack Hammer Base & Retention	1	Each		
R1000	Install Jack Hammer - RS Cargo Wall	1	Hour		
	----- Lighting -----				
19718	LED Beacon - Amber/Clear Square Split Color	2	Each		
R1000	Install Beacons: Front Super Top LS/RS	3	Hour		
19721	LED Strobe - Amber/Clear Split Color -Flush Mount	4	Each		
R1000	Install (2) Above Rear Door; (2) Front Grille	5	Hour		
18968	Heavy Duty LED Work Light 6.3"x3.9"	2	Each		
R1000	Install (2) Work Lights Over Rear Door	3	Hour		
18826	Model 3410 LED Safety Director	1	Each		
R1000	Install Arrow Stick Above Rear Doors	5	Hour		
19092	Spectra Surface Mount LED Scene Light 12VDC, 7000 Lumens, Flat Surface Mount	4	Each		
R1000	Install Scene Lights - High Super Structure (2) Ea Side	4	Hour		
18736	Sunstrip LED Waterproof Strip Light 18"L	5	Each		
R1000	Install Sunstrips - Cargo Interior	6	Hour		
18852	Flexible Weather Resistant Strip LED - 126"L	2	Each		
R1000	Install Rail Lights	1.5	Hour		
Z1428	Wire Above to Upfitter's Switch w/ Wiring & Placard Label: "Strobes" (Strobes/Beacons) Label: "Work" (Rear Work Lights/Cargo/Rails) Label: "L Scene" Label: "R Scene"	4	Each		
19207	LED Remote Control Searchlight GoLight Includes Programmable (2) Wireless Remotes	1	Each		
R1000	Install Go-Light RS Rear ----- END Up-Fit -----	3	Hour		

Subtotal (USD):	126,446.00
Total Tax (USD):	0.00
Total (USD):	126,446.00